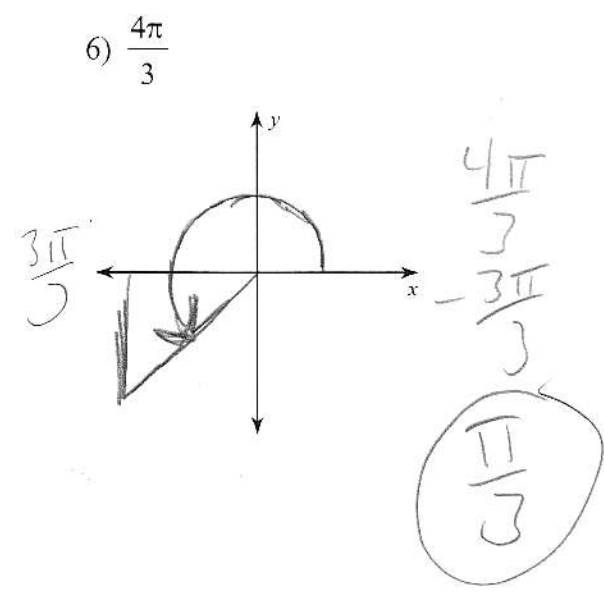
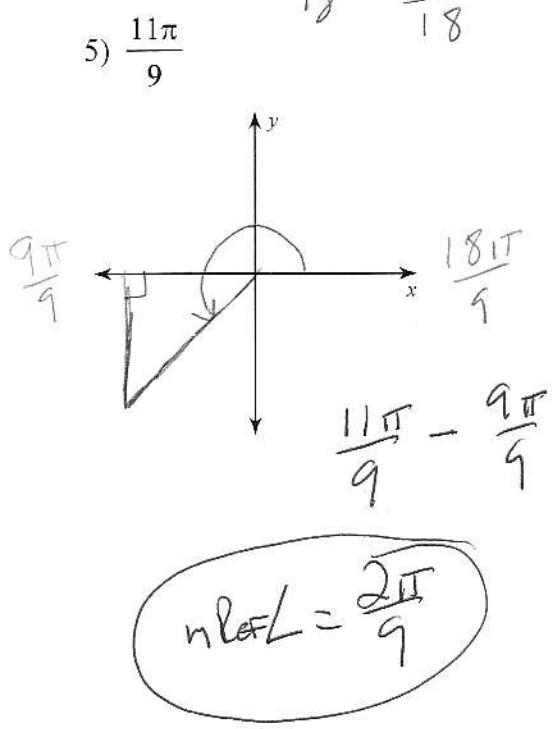
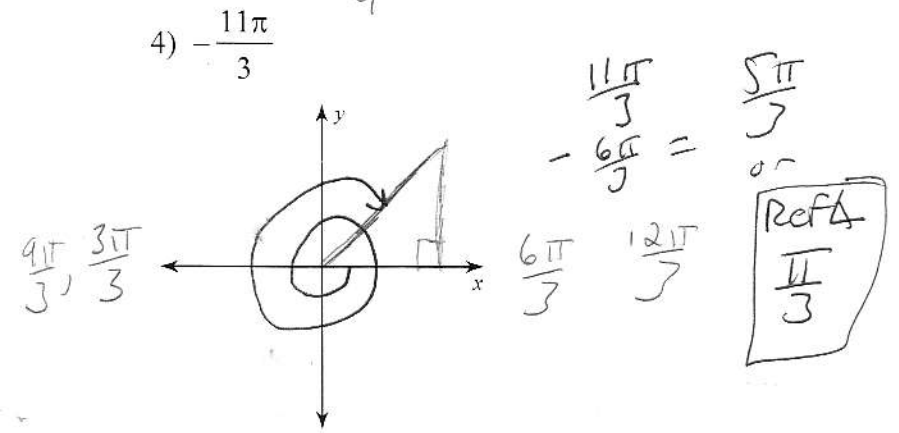
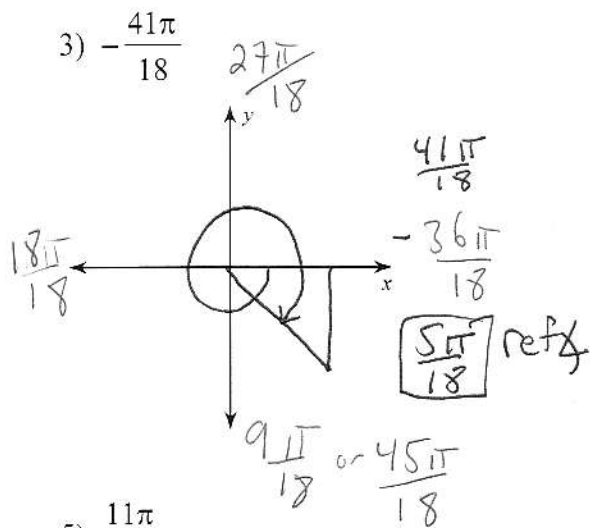
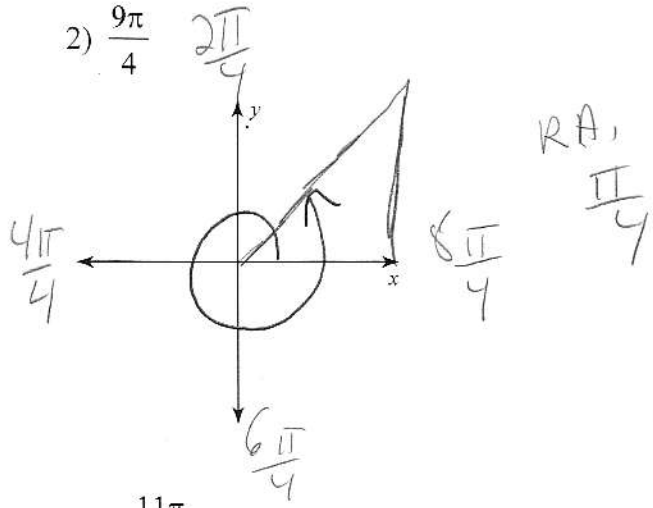
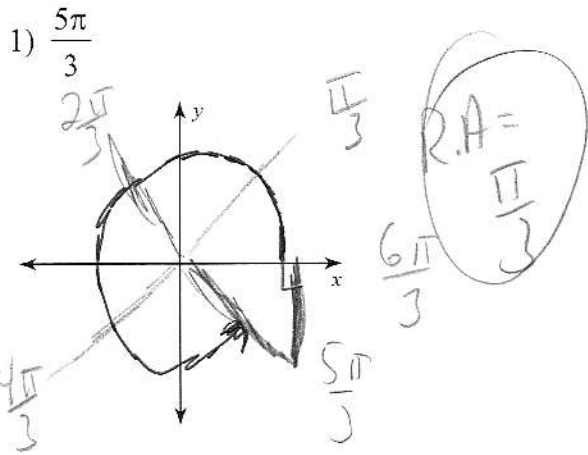
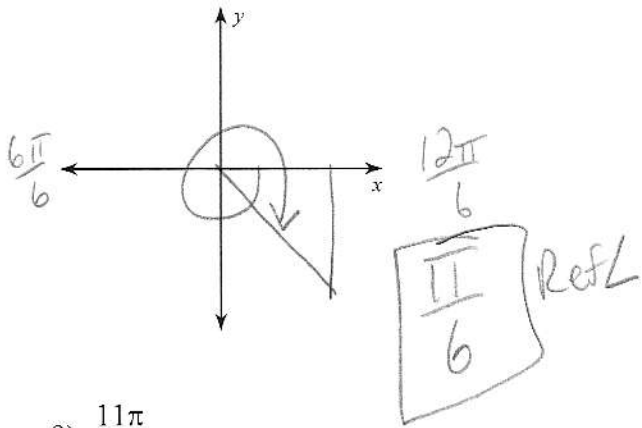


### Drawing Angles of Rotations

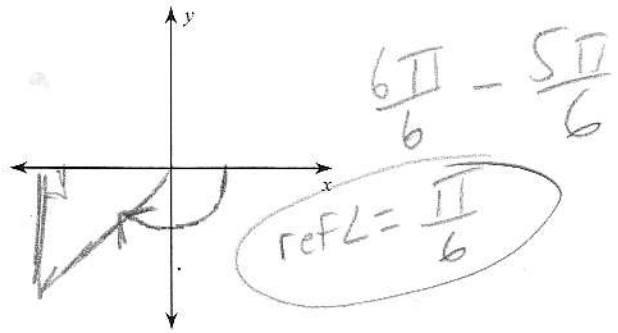
Draw an angle with the given measure in standard position. Draw the reference triangle. State the measure of the reference angle, in radians.



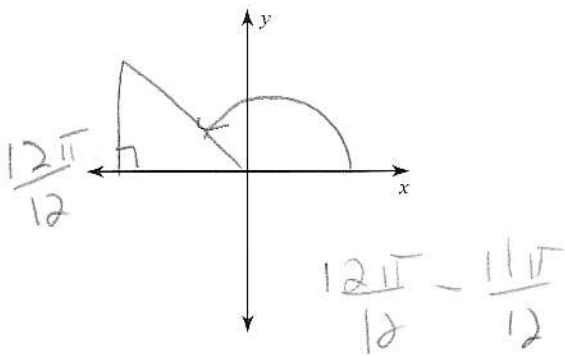
$$7) -\frac{13\pi}{6}$$



$$8) -\frac{5\pi}{6}$$

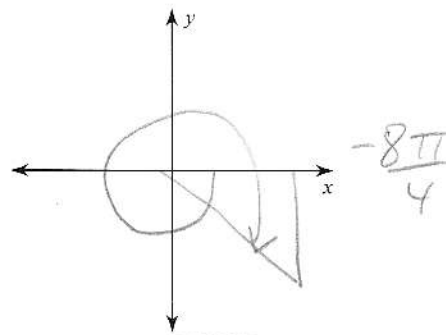


$$9) \frac{11\pi}{12}$$



$$\text{ref } \angle = \frac{\pi}{12}$$

$$10) -\frac{9\pi}{4}$$



$$\text{ref } \angle = \frac{\pi}{4}$$